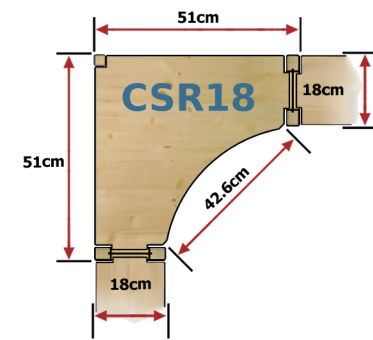
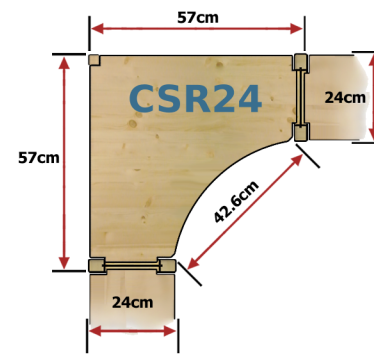
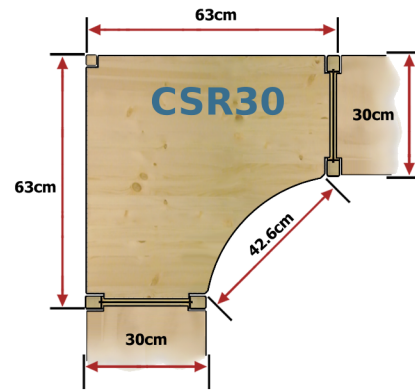
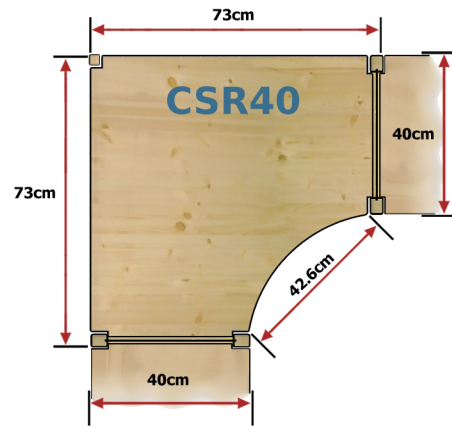
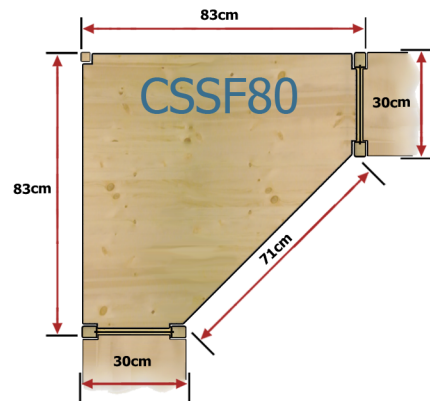
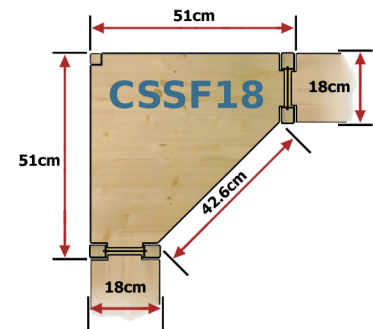
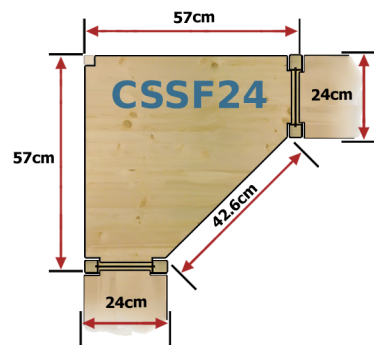
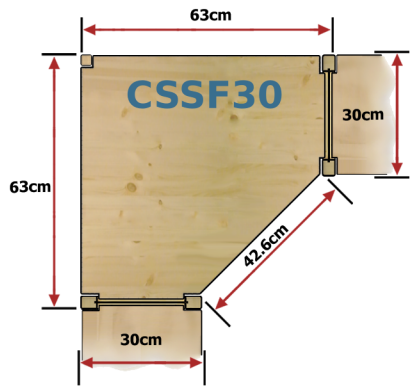
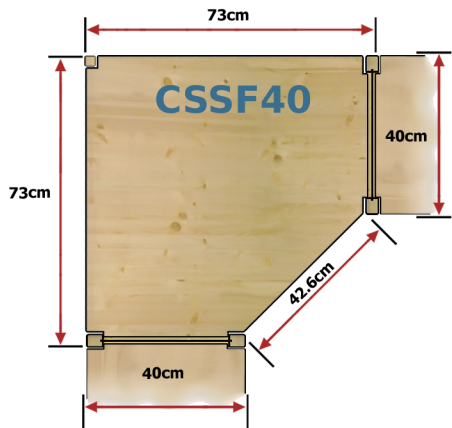


Round corners



Straight corners



Note: 1 x single leg upright (slu) is required per corner shelf section.